

CUSTOMER PART No.

CUSTOMER

CAN ART STD.

DIE No.

EH05787

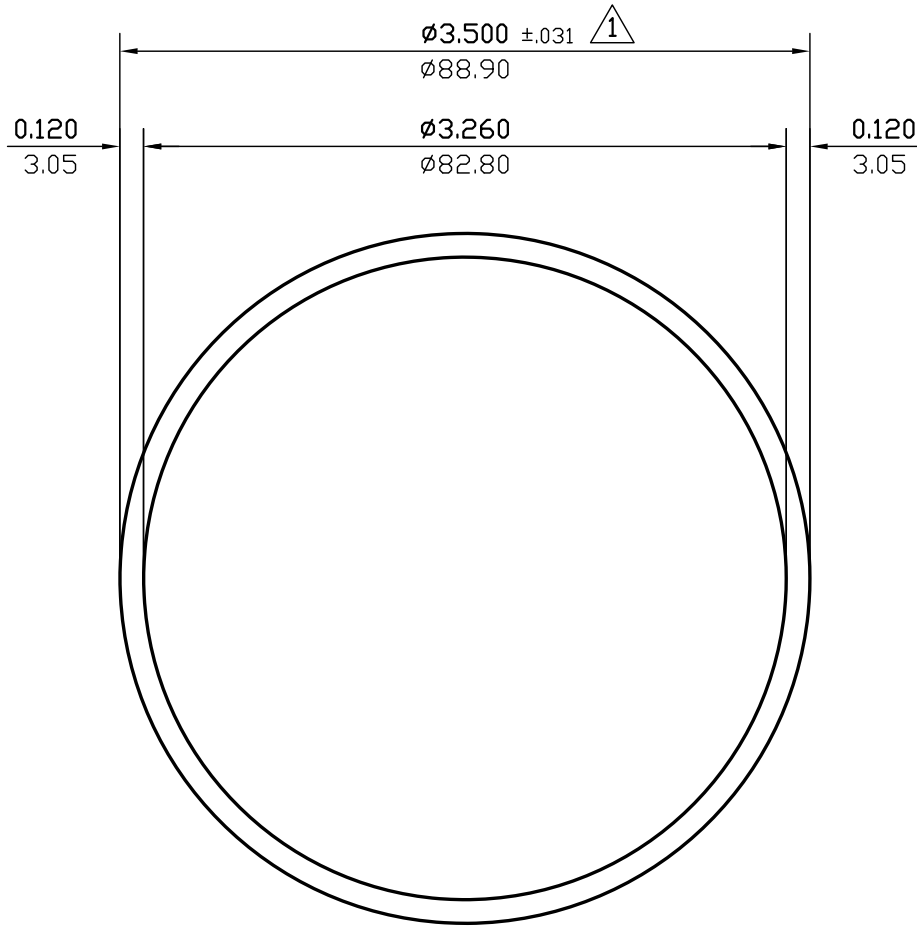
DESCRIPTION

3" SCH 10 PIPE

PROPOSAL No.

H-51816

NOTE: BREAK ALL CORNERS WITH 0.015" (.38 MM) RADIUS UNLESS OTHERWISE SPECIFIED. STANDARD TOLERANCES TO APPLY UNLESS OTHERWISE SPECIFIED.



WALL THICKNESS **0.120(3.05)** EXCEPT AS SHOWN

DATE	REV	DESCRIPTION	BY
03/10/23	2	REMOVED EXPOSED SURFACES AND ALLOY	JASON
07/15/15	1	ADDED ± 0.031 TOLERANCE.	PAUL
EST.AREA	1.274	IN. ²	EST.AREA 822.089 MM. ²
EST.WT.	1.529	LBS/FT.	EST.WT. 2.276 KG/M.
EST.PER.	21.237	IN.	EST.PER. 539.424 MM.
OUT PER.	10.996	IN.	OUT PER. 279.3 MM.
C.C.D.	3.500	IN.	C.C.D. 88.900 MM.
FACTOR 14	FINISH M/F	ALLOY & TEMP.	
CKD BY	SCALE 1:1	DWN BY L.G.	DATE 09/03/2003

CAN ART

ALUMINUM EXTRUSION INC.

428 JUTRAS DRIVE S.
WINDSOR, ONT. N8N 5C5
TEL. NO. (519) 727-4399
FAX NO. (519) 727-6434
E-MAIL: canart@canart.com

THIS DRAWING IS NOT NECESSARILY A COPY OF YOUR ORIGINAL. PLEASE APPROVE DIMENSIONS AND TOLERANCES INDICATED. CAN ART ASSUMES NO RESPONSIBILITY EITHER TECHNICAL OR LEGAL FOR HAVING THIS SHAPE MADE. THE CUSTOMER AGREES TO FULLY PROTECT CAN ART ALUMINUM FROM CLAIMS OF OTHERS RESULTING FROM THIS SHAPE.

SIGNED: _____ DATE: _____